



# dEDGE 1.6

## Data Acquisition Platform

### DIGITALIZATION, PLUG & PLAY

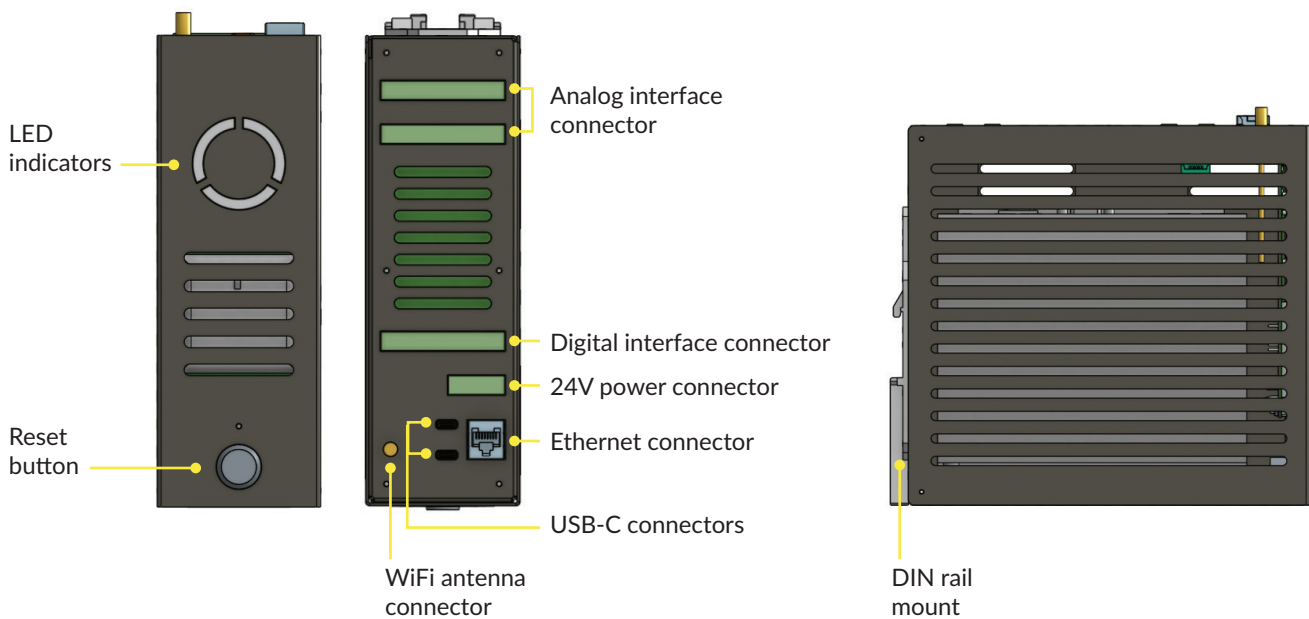
.....  
Real-time Asset Performance  
Monitoring

.....  
Deploys non-invasive sensors

.....  
Collects data 24/7 & uploads  
for visualization on an  
AI-powered cloud platform

.....  
Enables data-driven decision making  
& actionable insights





## SPECIFICATIONS

### ANALOG INPUT

Channels	6 Single-ended 5V ADC IEPE support
Resolution	16 bits
Sample Rate	20Hz-1.5MHz

### DIGITAL INPUT

Channels	8 Single-ended
Input Voltage	Logic 0-0.8V max Logic 1-10V min

### GENERAL

Dimensions	67 × 224 × 215 mm (W × D × H)
Power Consumption	60W
Power Requirements	Single 24VDC
Weight	3.3 kg

### HARDWARE

Processor	CPU Intel Celeron® 1047UE 1.4GHz
Memory	4G DDR3
Indicators	LEDs for status
Connectors	2×USB Type C, Ethernet
Storage SSD	120GB S400 2
WiFi Module	Intel 6205AGN, 802.11a/b/g/n

### ENVIRONMENT

Storage Humidity	5~95% RH, non-condensing
Storage Temperature	-20~80°C (-4~176°F)
Operating Temperature	0~50°C (14~140°F)
Operating Humidity	5~85% RH with 0.7m/s air flow

### STANDARD COMPLIANCE

Safety	EN62368-1
EMC	EN 55032, EN 55035
CE	Yes

